

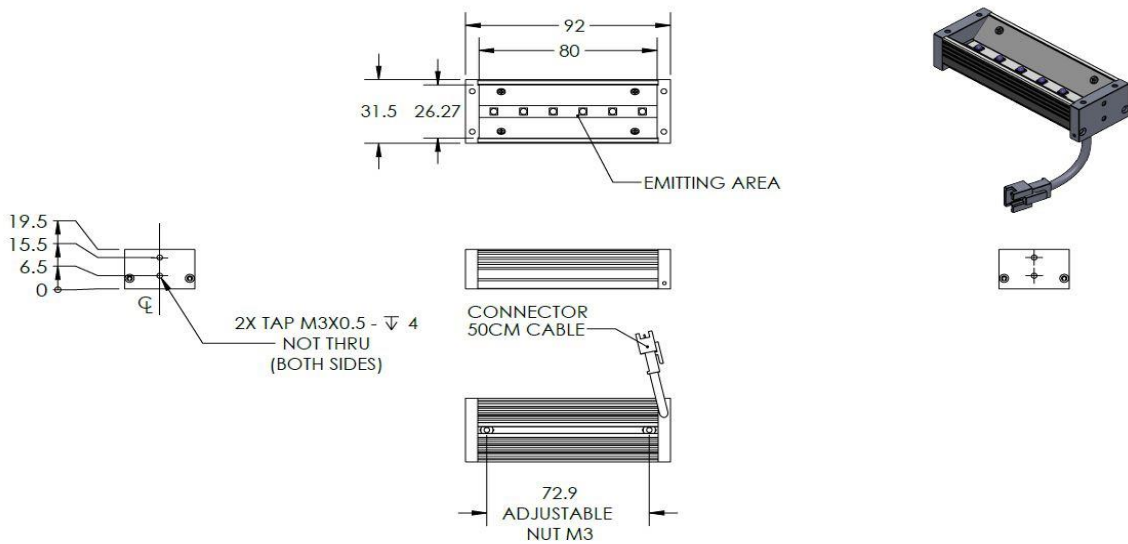


OPTO ENGINEERING

ILLUMINATOR DATA

LTZPFL080-00-1-UV365-24V

Lighting Dimension



Mechanical Information

Casing Material	Aluminium
Storage Temperature Range	0 - 45°C
Storage Humidity Range	20 - 85%
Weight	95 g
Length / Outer Diameter	92 mm
Width / Inner Diameter	31.5 mm
Thickness / Height	19.5 mm



OPTO ENGINEERING

ILLUMINATOR DATA

LTZPFL080-00-1-UV365-24V

Lighting Information			
Part Number	LTZPFL080-00-1-UV365-24V		
LED Color	UV365		
Wavelength	365nm		
Working Distance	100	130	150
Intensity ($\pm 15\%$)	-	-	-
Illumination (number of row)	1		
Illumination Active Area	Active Length / Outer Dia.	26.27 mm	
	Active Width / Inner Dia.	80 mm	
Emission angle	0		
Eye Safety Class (IEC62471)	Risk Group 2 (Moderate - Risk)		
Chromaticity Table For White colour only	NIL		

Electrical Information	
Rated Constant Voltage	24V $\pm 2\%$
Rated Constant Current	100 mA
Power Consumption	2.4 W
Casing temperature, After 60 minutes operation	48.3 °C


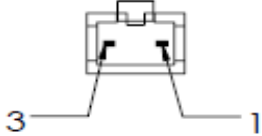
Strobe Mode Specification		
*Normal Strobe Voltage	24V	
*Normal Strobe Current	100 mA	
Overdrive Voltage Range	Min: 36 V	Max: 48 V
Overdrive Current Range	Min: 2 A	Max: 2 A
Recommended Overdrive Voltage	36V	
**Max. Trigger Pulse Duration	10 msec	
**Max. Duty Cycle	10%	

*Normal strobe means the lighting is operated using the rated power. Overdrive means the power supplied to the lighting exceeded the rated power.

**Overdrive condition must not exceed the max. trigger pulse duration and max. duty cycle.

ILLUMINATOR DATA

LTZPFL080-00-1-UV365-24V

Connection Information			
Connector Type (Default)	JST SMR-03V		
Cable Length	50 cm		
Pin Configuration 	Pin	Signal	Cable Colour
	1	LED +	Red
	2	N.C	-
	3	LED -	White
			

Additional Information	
Additional Cooling Method	Attached to machine part for better heat dissipation
Intensity Controller Selection	SD, ST, ANG, LC, SDA, SDP series
CE Conformity	YES
RoHS Compliance	YES

Application	
Illumination Type	UV Illumination
Application Use	Allow Chemicals That Has UV Lighting Interaction to be Visible Under The Blue Light



OPTO ENGINEERING

ILLUMINATOR DATA

LTZPFL080-00-1-UV365-24V

Lighting Pattern				
Working Distance	For further details please contact us.			
Display and Image				
Data Results	Horizontal	Meas.(mm)	Vertical	Meas.(mm)
	90%		90%	
	80%		80%	
	70%		70%	
	60%		60%	
	50%		50%	
	40%		40%	
	30%		30%	
	20%		20%	
	10%		10%	